

1

2

3

4

A

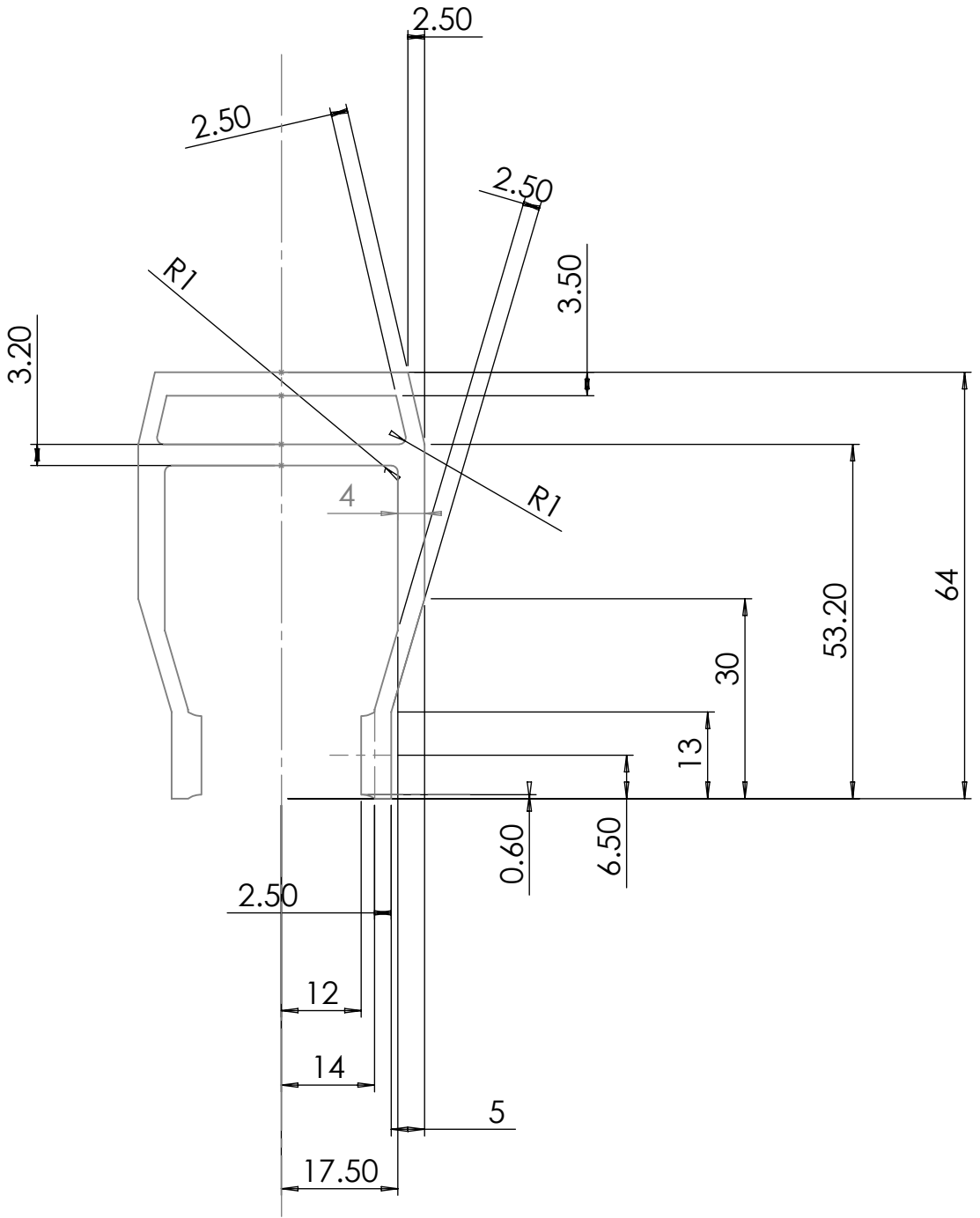
B

C

D

E

F



All dimensions  $\pm 0.10\text{mm}$  unless specified

# Frame Rear Section Profile