

1 2 3 4 5 6 7 8

A

A

B

B

C

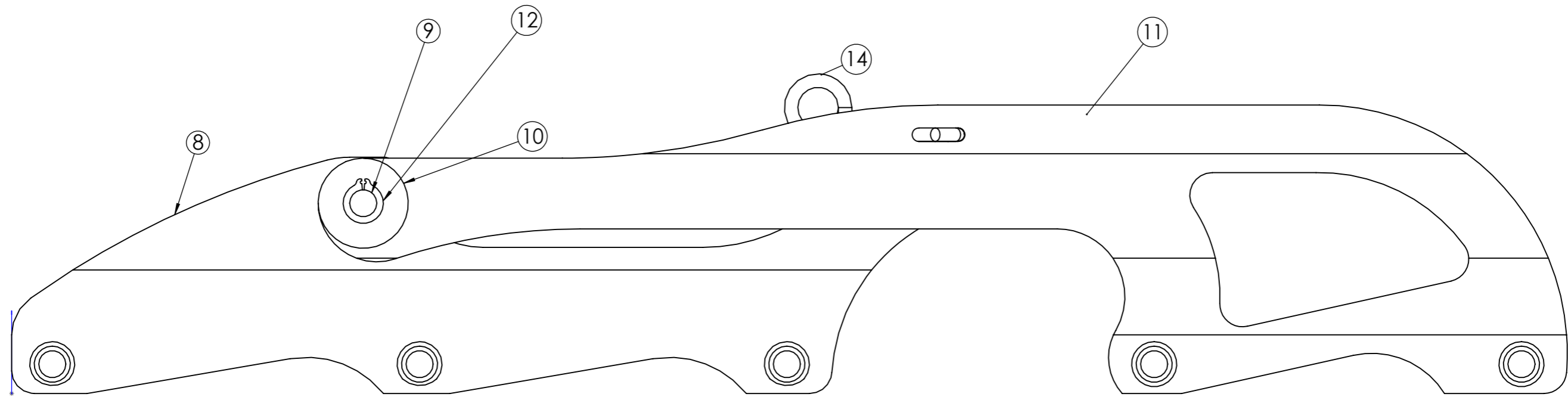
C

D

D

E

F



ITEM NO.	QTY.	PART NO.	DESCRIPTION
8	1	frame_lower	
9	2	pivotpin	
10	4	pivotwasher	
11	1	frame_upper	
12	2	cclip	
13	1	clapblock	
14	1	spring	

Frame Assembly

C. Gibson Redesign of an In-line speed skate frame

1

2

3

4